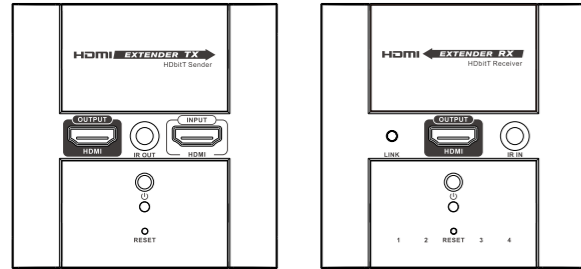


HDMI HDbiT Wall Plate Extender

User manual



• Important safety notice

Please read below safety instructions carefully before installation and operation:

1. Please pay attention to all the warnings and hints on this device.
2. Do not expose this unit to rain, moisture and liquid.
3. Do not put any stuff into the device.
4. Do not repair the device or open the enclosure without professional person guidance to avoid electronic shock.
5. Make sure good ventilation openings to avoid product overheating damage.
6. Shut off power and make sure environment is safe before installation.
7. Do not plug-in/out the network cables and IR cables when it is in using to avoid cables damage.
8. Make sure the specification matched if using 3rd party DC adapters.

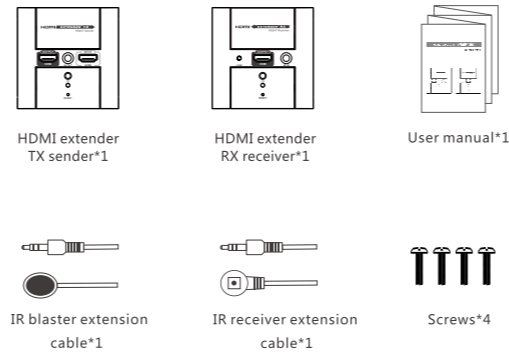
1 Introduction

HDMI HDbiT wall plate extender is a wall plug type extender. It is made up of a sender and a receiver separately fixed on wall and can transmit up to 120meters via cat6 cable. IR pass back is built in to allow controlling source device at the end of display.

2 Features

1. It is made up of a sender panel and a receiver panel
2. Use Cat5/5e/6 for long distance transmission
3. Transmit 120meters via cat6 cable 1080p@60Hz
4. Support IR remote control
5. one-to-many connection can be built via switcher
6. One more HDMI loop output in the sender
7. Attractive wall plate design

3 Package contents

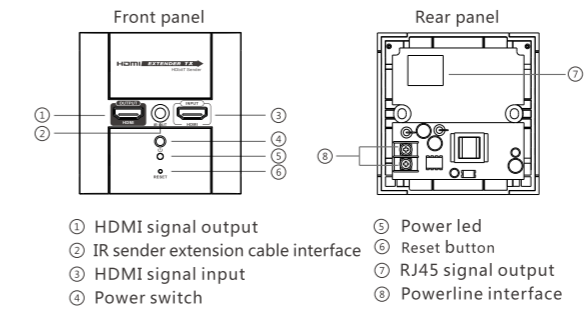


4 Installation Requirements

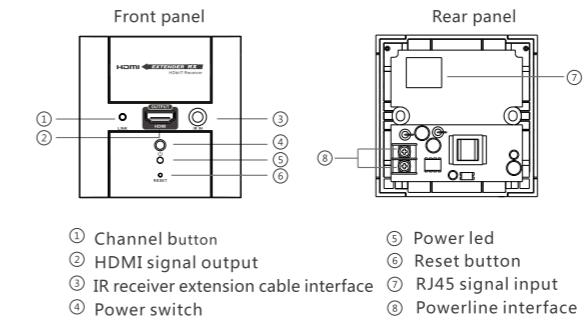
1. HDMI source device (DVD, PS3, Set top box, PC etc)
2. HDMI display device like SDTV, HDTV, and projector with HDMI port.
3. Cat5、UTP/STP Cat5e/6 cable, follow standard IEEE-568B
1-Orange/white 2-Orange 3-Green/white 4-Blue 5-Blue/white
6-Green 7-Brown/white 8-Brown
AC100-240V Powerline
4. Bottom case: International standard type 86 case , Size 86mmx86mm

5 Panel description

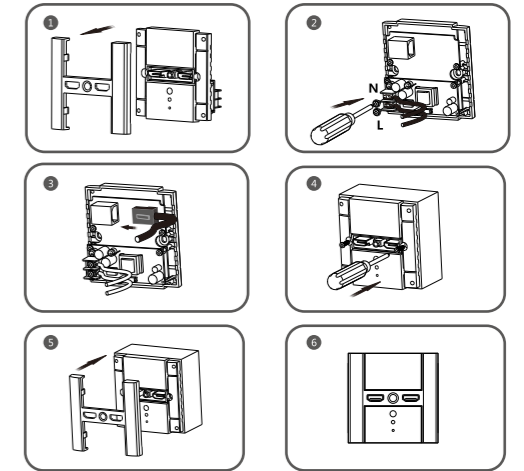
1. HDMI Extender TX sender



2. HDMI extender RX receiver



6 Important safety notice

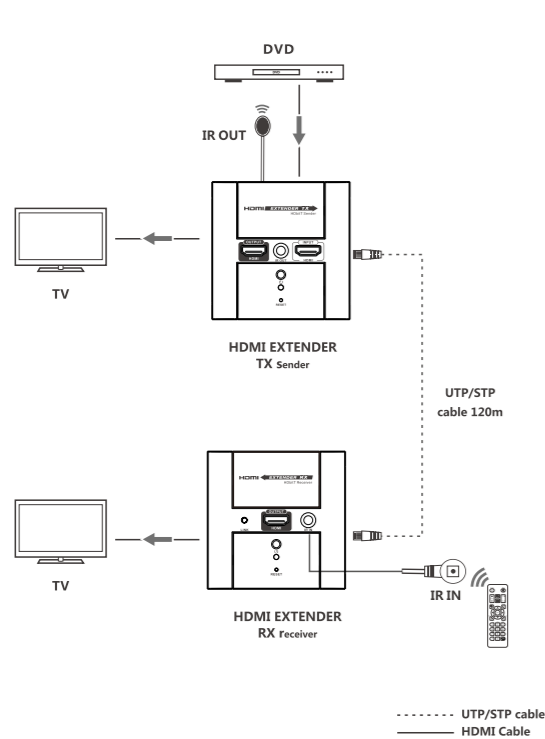


Note: please shut off power before installation

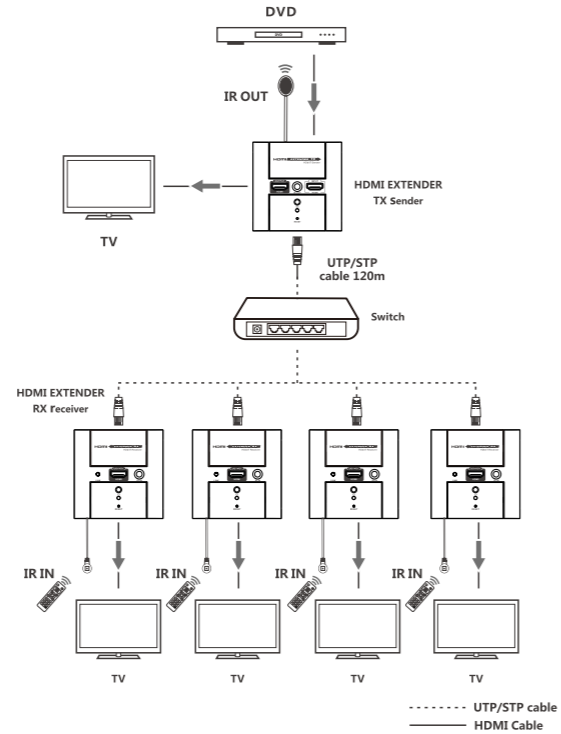
1. Open the extender wall plate cover.
2. Connect power line: use screw driver to unscrew and connect power line according to the mark on the base. "L" is live line and "N" is neutral line.
3. Connect network cable: make network crystal head as per the standard IEEE-568B (please refer to 4.3). Connect crystal head to receiver RJ45 interface.
4. Install the accessory screws to the corresponding positions to fix the extender wall plate to the base.
5. Fasten the cover to the extender wall plate.
6. Installation is done.

7 Connection

1. One-to-one connection



2. One-to-many connection



3. IR pass back notice

- 1) IR sender connects with IR OUT of TX and IR receiver connects with IR IN of RX.
- 2) Put the IR sender head close to IR window of the source device and keep them at the same horizontal line.
- 3) Aim the remote control to IR receiver head and keep the distance within the required range of the IR receiver.

8 FAQ

Q: TV display "Waiting for connection..." on the right corner ?

A: Please check if the power supply of TX and switcher(if used) is connected, and make sure connecting cable and HDMI cable is firm.

Q: TV display "Please check the TX input signal" ?

A: 1) please check if there is HDMI signal input in the TX;
2) Try to connect the signal source directly to display device to see if there is signal output from source device, or change the signal source, HDMI cable and try again.

Q: Image not fluent, not stable?

A: 1) Please check the cable length between the TX to switch, the switch to the RX and the connection between each level is within the required range;
2) Reset in RX and reconnect.

9 Specification

Items	Spcifications
HDMI signal	Compatible with HDCP
Transport protocol	HDBiT
Support resolutions	480i@60Hz, 480p@60Hz, 576i@50Hz, 576p@50Hz, 720p@50/60Hz, 1080i@50/60Hz, 1080p@50/60Hz
Support audio	PCM (48kHz, 44.1kHz)
Network Cable	Cat5, UTP/STP Cat5e/6
Transmission distance	Up to 120meters transmission distance for 1080p@60Hz CAT5: ≤80m CAT5e: ≤100m CAT6: ≤120m High quality cable can reach 150meters
IR remote control	Support 20~60kHz wide frequency IR remote control
Working temperature	0°C ~ 60°C
Power supply	AC 110-240V
Power consumption	TX: 3.5W RX: 3W
Panel material	PC+ABS fireproof material
Product dimension	86(W) x 86(D) x 37(H) mm *2pcs
Weight	TX:110g RX: 107g
Color	White

Disclaimer

The product name and brand name may be registered trademark of related manufacturers. TM and ® may be omitted on the user manual. The pictures on the user manual are just for reference, and there may be some slight difference with the real products. We reserve the rights to make changes without further notice to a product or system described herein to improve reliability, function or design.